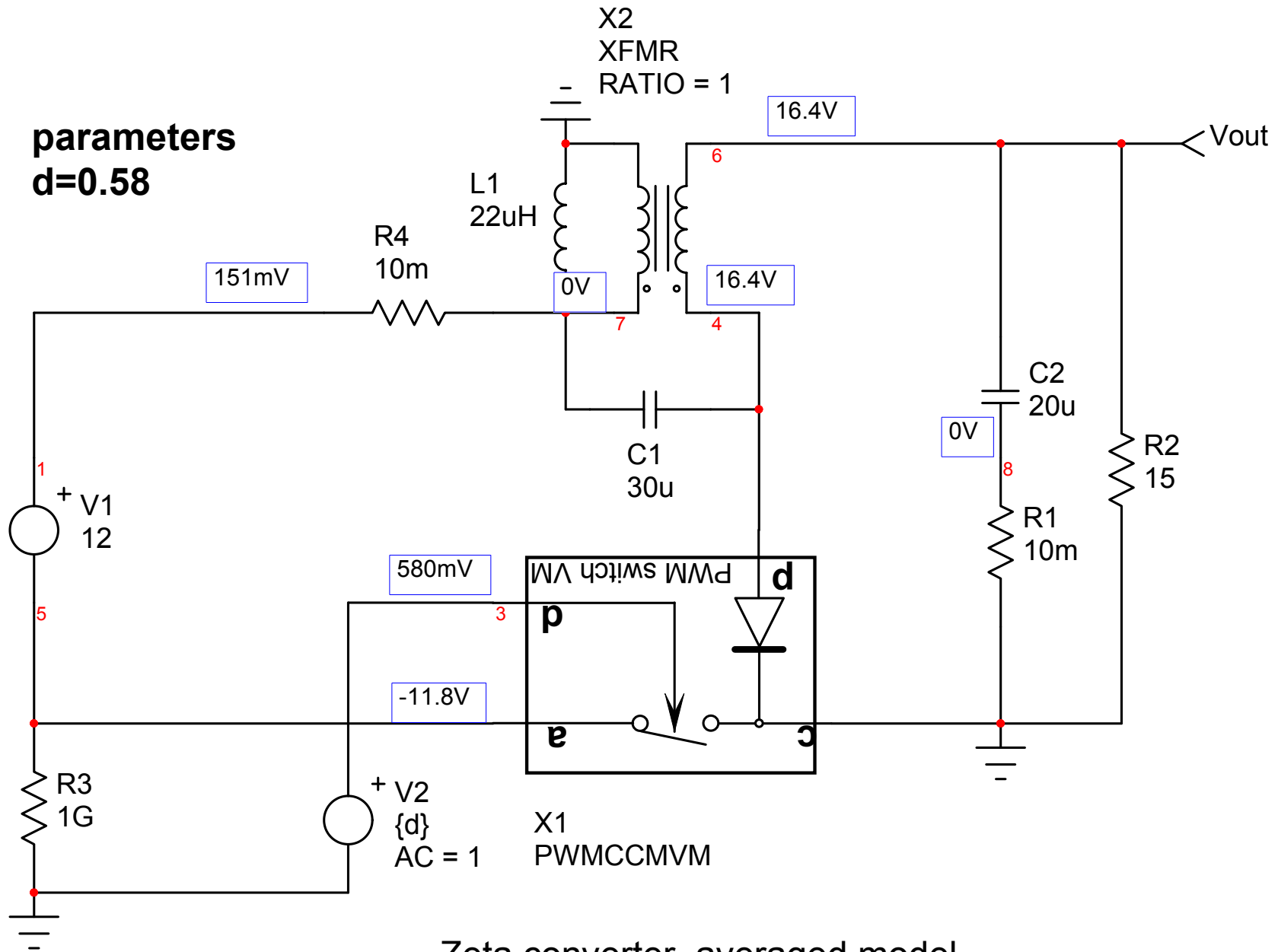


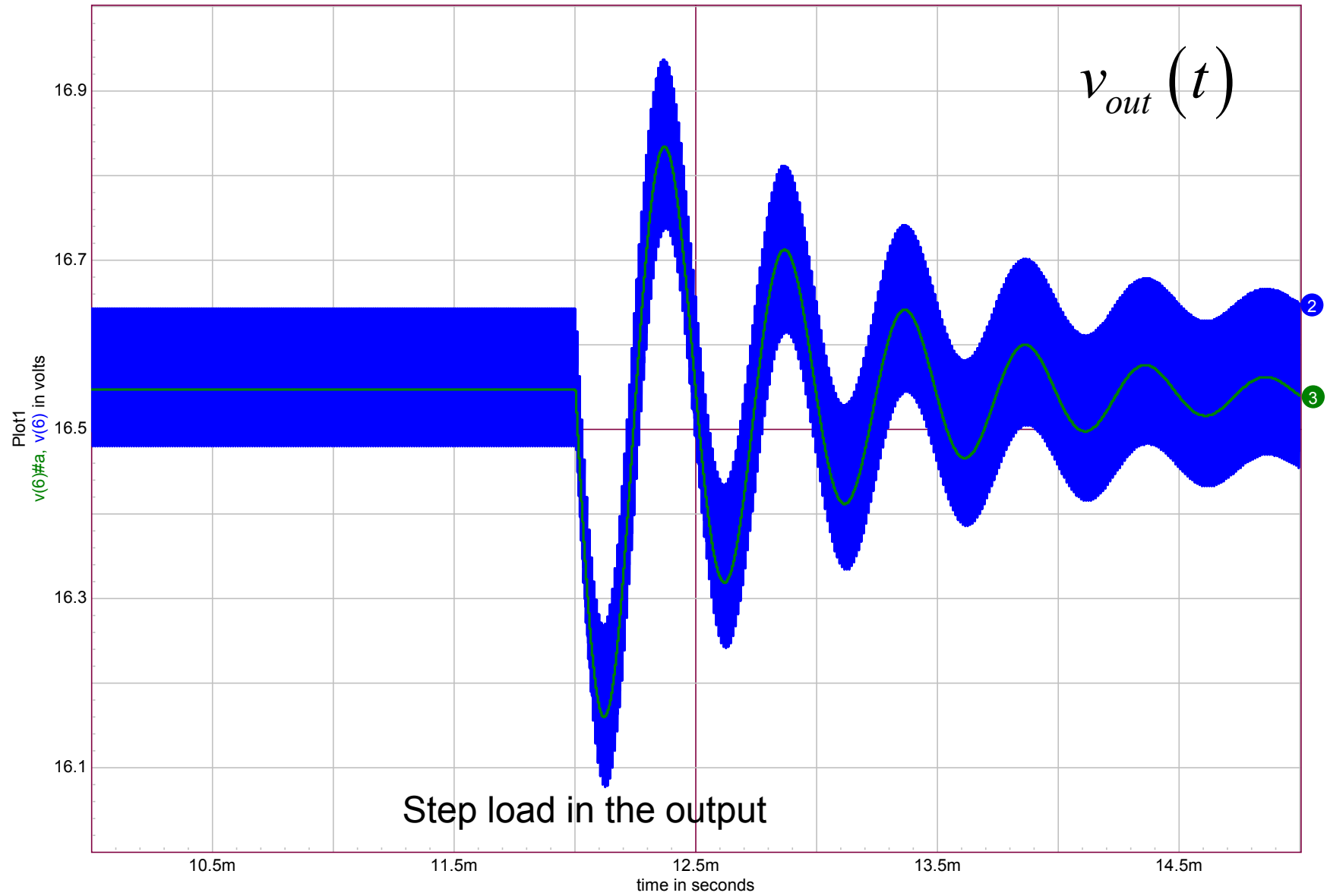
Zeta converter, cycle by cycle

parameters
 $d=0.58$

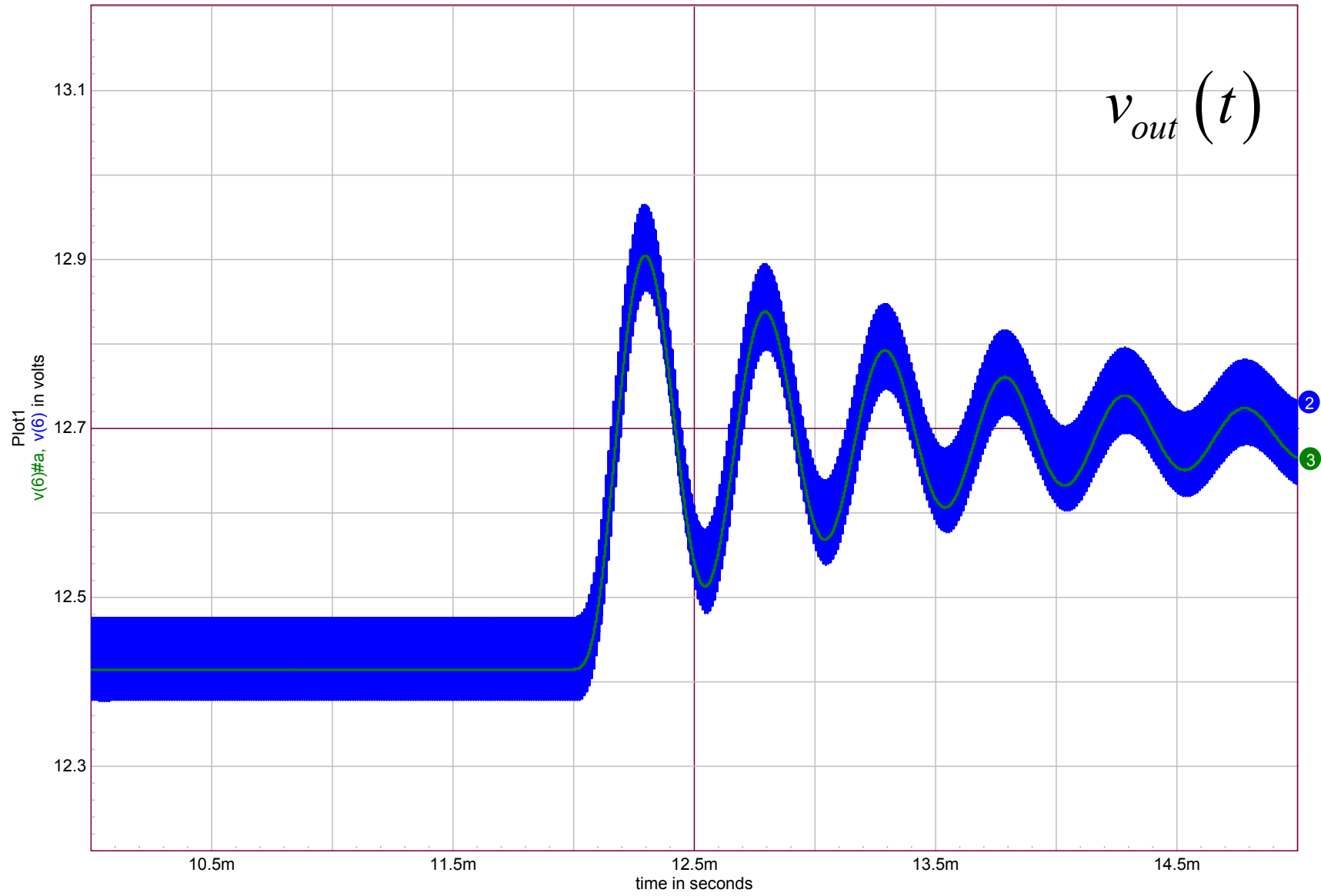


Zeta converter, averaged model

2 v(6) 3 v(6)#a



2 v(6) 3 v(6)#a



Step input, 9 to 9.2 V

② vdbout ③ ph_vout

